

Glass Compression Testing Machine

Model: RS-8000SA-Glass

● Purpose:

The machine is suitable for 3, 4-points bending test of tempered glass, and also tensile, compression, flexural, peel, shear, tear, bursting, , fatigue tests for wire, metal foil, sheet metal and metal tape, rubber, plastic, air / sea foam, waterproof materials, wire and cable, textile fabrics, net rope, non-woven material by equipped with the different fixtures.

● Typical applications

Glass 3-points bending test

Glass 4-points bending test

Glass compressive strength test

Metal / sheet tensile test

Rubber / plastic tensile test

Metal / plastic bending test

Tape 90° / 180° peel strength test

FPC pull test

Beverage packaging compression / bursting force test

The product holding force (Constant) Test

Low cycle fatigue (loop) test

Metal timber three-point bending test

Environmental plywood adhesive force test

The composite woven packaging with strength test

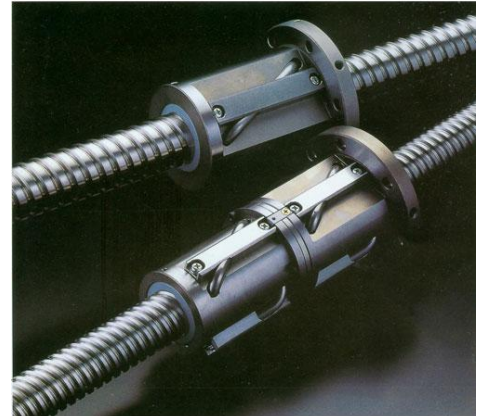
● Applications:

Glass, metal, ceramic, composite, tape, Food and medical equipment, paper, plastic, rubber, communication.

Features:

High-precision

Use Panasonic AC servo motor to drive, and ABBA high precision ball screw for transmission, with high precision explosion-proof LOADCELL from U.S. TRANSCCELL, the force accuracy can be $\pm 0.25\%$, the displacement accuracy is up to 0.001mm.



High intelligence

Automatically determine the fracture, automatic return, the force units are free to switch languages switchable: Simplified / Traditional Chinese, English. Load - displacement, load - time, displacement - time stress - strain, strain - time, stress - time multi-curve analysis.



Test report

Statements developing is based the Crystal Reports10.0 version, can automatically calculate the strength, elastic modulus E RP0.2 ReL, ReH, elongation, content can be freely altered ,curve automatically generated. Can be exported to Excel, PDF, HTML and other formats.

Language of software: English

Specification:

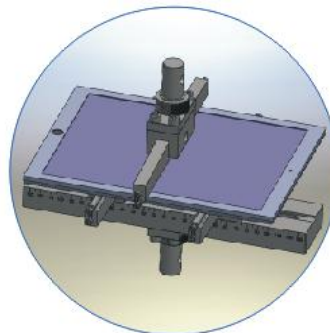
Model	RS-8000SA-Glass
Capacity	10KN (1000kgf)
Unit (switchable)	N, KN, Kgf, Lbf

Load resolution	1/200,000
Load accuracy	±0.5%F.S
Effective Load range	0.25%~100%F.S
Stroke (exclude the grips)	600mm
Effective width	400mm
Test speed	0.01~500mm/min
Over-load protection	Auto step into protection when the load is 10% higher than the max capacity of loadcell.
Main unit dimension (WxDxH)	800x600x1972mm
Main unit weight	235 Kg
Power Supply	AC220V 10A or specified by user

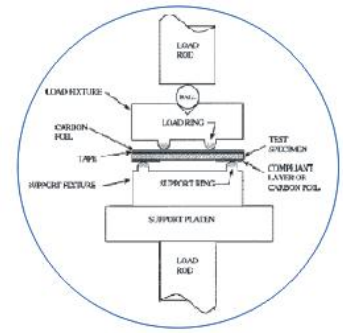
Appearance:



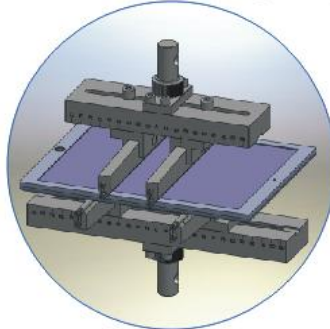
TFT Module Test Application



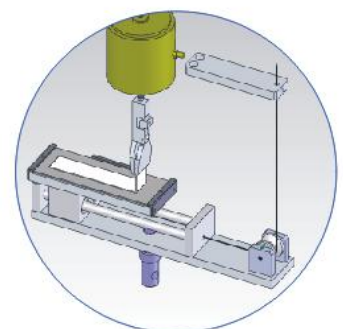
觸摸屏三點抗彎測試
Touch Panel 3Point Bending Testing



玻璃環壓強度測試
Glass Ring On Ring Testing



觸摸屏四點抗彎測試
Touch Panel 4Point Bending Testing



觸摸屏保護膜90°剝離強度測試
Peel Strength at 90° angle Testing